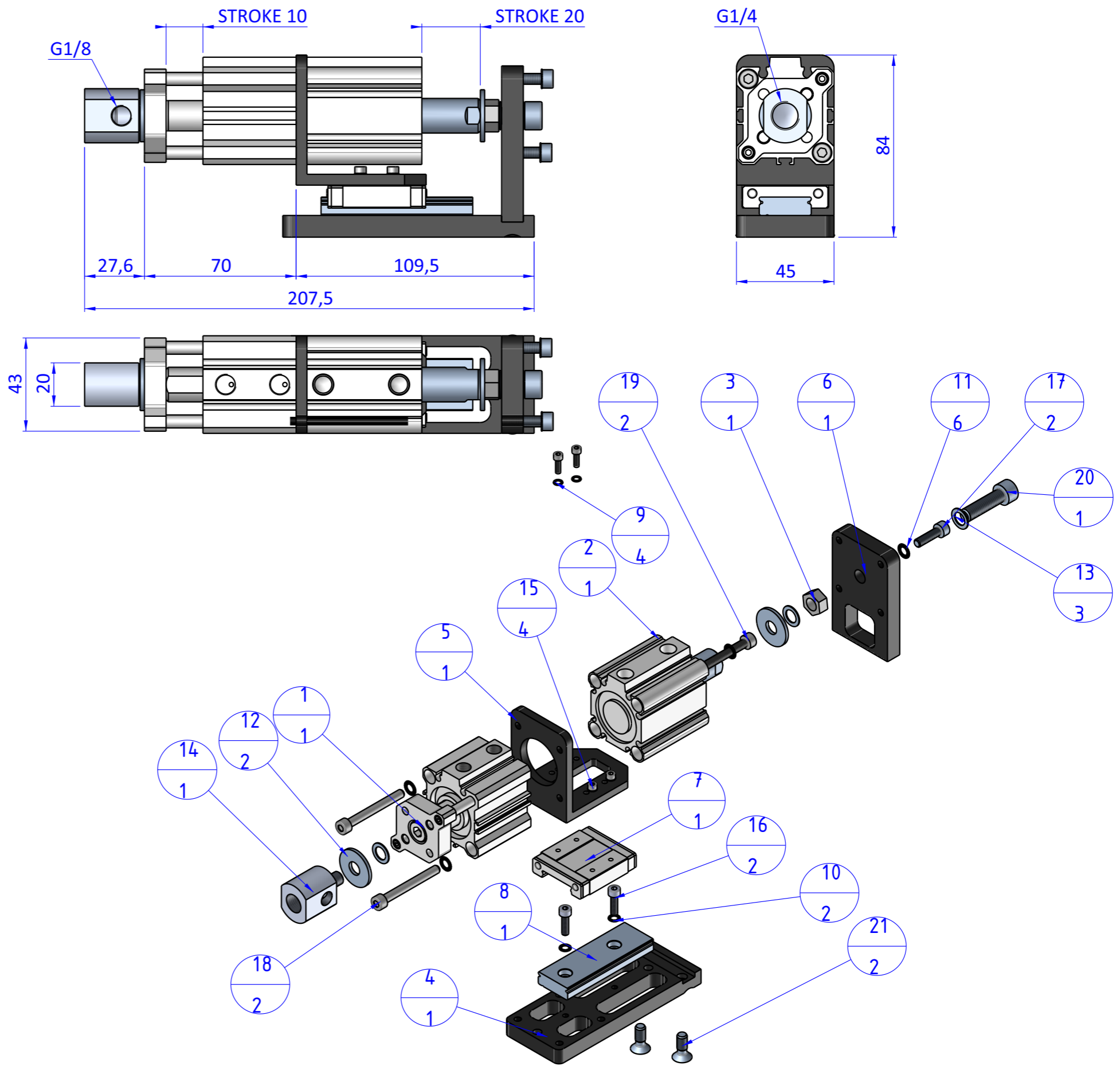



THE PROPERTY OF THE DRAWING IS ESTABLISHED BY LAW. IT IS FORBIDDEN TO PRODUCE OR SHOW IT TO THIRD PART - WITHOUT A WRITTEN AGREEMENT.

Item	Name	Q.ty
1	CA.11.17.009	1
2	CA.11.18.010	1
3	D-en M 8	1
4	GZ.32201025.03	1
5	GZ.32201025.05	1
6	GZ.32201025.06	1
7	HI.MGW12CZ1C	1
8	HI.MGWR12R70	1
9	R.3.SCH	4
10	R.4.SCH	2
11	R.5.SCH	6
12	R.8.L24	2
13	R.8.SCH	3
14	SA.IG14.G18.M822	1
15	V.TCE3x10	4
16	V.TCE4x14	2
17	V.TCE5x18	2
18	V.TCE5x45	2
19	V.TCE5x55	2
20	V.TCE8x30	1
21	V.TSP6x16	2



Format A3
UNI 936-76

 FPS FPSERVICES AUTOMATION		DESIGNED FROM		REVIEW
		FPS Automation		A
GENERAL TOLERANCE		DATE		WEIGHT
UNI - ISO 2768		22/12/2021		0,367kg
CLASSE f		CODE		
		CA.BVAE.322010		CA.BVAE.322010